



3 Ports FWDM (980/1550,1480/1550nm)



Shenzhen Optostar Optoelectronics Co., Ltd

2013. 05(Version 2)

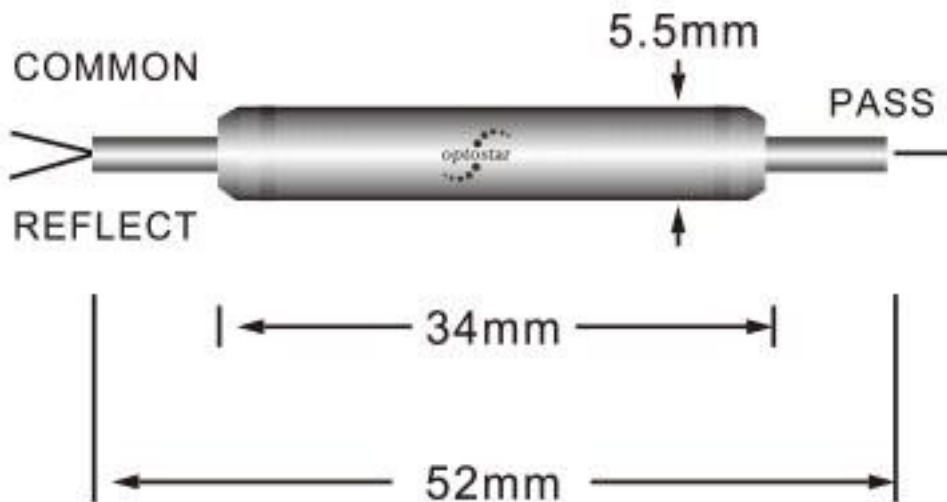
Overview

OPTOSTAR Micro-Optics WDM utilizes thin film coating technology and proprietary design of non-flux metal bonding micro optics packaging. It provides low insertion loss, high channel isolation, low temperature sensitivity and epoxy free optical path.

Product Features

- Wide Operating Wavelength Range
- Low insertion loss
- Ultra Flat Wide Passband
- High Channel Isolation
- High stability and reliability
- Epoxy-free on Optical Path

Package Dimension



Technical Parameter

Parameter		FWDM 5/4	FWDM 61/5	FWDM 5/9
Pass Band Wavelength Range (nm)		1530~1565	1600~1670	1525~1600
Reflect Band Wavelength Range (nm)		1450~1490	1260~1580	965~1000
Insertion Loss (dB)	Reflect Channel	≤0.5	≤0.6	≤0.7
	Pass Channel	≤0.6	≤0.8	≤0.9
Insertion Loss Variation (dB)		<0.3		
Isolation @Add/Drop Channel (dB)	Reflect Channel	>15	>15	>15
	Pass Channel	>25	>35	>30
Insertion Loss Temperature Sensitivity(dB/°C)		<0.005		
Polarization Dependent Loss (dB)		<0.1		
Polarization Mode Dispersion (ps)		<0.1		
Directivity (dB) (Input to add, Output to drop, add to drop (dB))		>50		
Return Loss (dB)		>50		
Maximum Power Handling (mW)		500		
Operating Temperature (°C)		-20~+70		
Storage Temperature(°C)		-40~+85		
Fiber Type		Corning SMF-28e fiber	Corning HI 1060 fiber at Common & Reflection port, SMF-28e fiber at	
Package Dimension(mm)		Φ5.5x34, Φ5.5x38 (900um Loose tube)		

- 1、Above specifications are for devices without connector.
- 2、Specifications may change without notice.

Application

- System Monitoring
- WDM Network
- Transmitters and Fiber lasers
- Fiber Optical amplifier
- Fiberoptic Instruments

Order Information

Description
3 Ports FWDM (980/1550,1480/1550nm)
Note: Fiber Type: 250um Bare fiber, 900um loose tube(optional) Fiber Length: 1m, 2m (optional) In/Out Connector: None, FC/APC, FC/PC, SC/APC, SC/PC,ST, LC, Custom(Optional) Wavelength: 1310 pass/1550 reflect, 1550 pass/1310 reflect (Optional)

Important Notice

Performance figures, data and any illustrative material provided in this data sheet are typical and must be specifically confirmed in writing by OPTOSTAR before they become applicable to any particular order or contract. In accordance with the OPTOSTAR policy of continuous improvement specifications may change without notice.

The publication of information in this data sheet does not imply freedom from patent or other protective rights of OPTOSTAR or others. Further details are available from any OPTOSTAR sales representative.

Contact OPTOSTAR

Shenzhen Optostar Optoelectronics Co., Ltd

Address:A-14,Haide Building,the Intersection of Nanxin Road and Haide Second Road Nanshan District Shenzhen,China .

Tel: +86-755-26400198 +86-755-26400288 Fax: +86-755-26411001

Email: info@optostar.com.cn

Skype:ouyangroya

Web: www.optostar.com.cn